

LEGAL FOR TRADE

PALLET TRUCK WITH SCALE

**Legal for trade capability when a certified calibration house inspects.*

TIP THE SCALE IN YOUR FAVOR

The Lift-Rite Hand Pallet truck with scale and exclusive integrated printer option is ready to put in work. It combines the controlling function of a very accurate weighing system with the mobility and flexibility of a hand pallet truck. So you can weigh pallets and containers during transport, keeping you on the move.



LIFFRITE
KEEPS YOU MOVING

LEGAL FOR TRADE

PALLET TRUCK SCALE

**Legal for trade capability when a certified calibration house inspects.*

PRODUCTIVITY

Time is money. Our piece counting program saves you both. It weighs your pallets while they are being transported.

FLEXIBILITY

The exchangeable battery module gives you 50 hours of hard work. During recharge, still functions as a standard manual jack.

ACCURACY

Scale is accurate to within .1% of applied weight.

FUNCTIONS

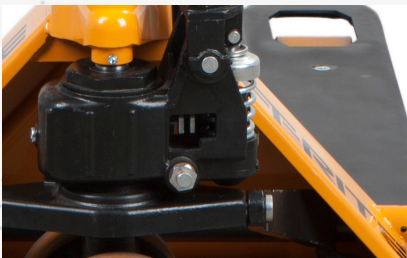
- » Automatic and manual zero correction
- » Gross/net weighing
- » Automatic and manual tare
- » Totalling with sequence number
- » ID-code entry (5-digit)
- » Piece counting by sampling
- » Piece counting by entry of piece weight
- » Printing of date, time, counted pieces, gross/net weight, total weight
- » Internal clock
- » Error messages in display
- » Automatic shut off after 30 minutes of non-use
- » Lbs/kg toggle function



Polyurethane steer wheels and load rollers



New fork design to enhance pallet entry and exit



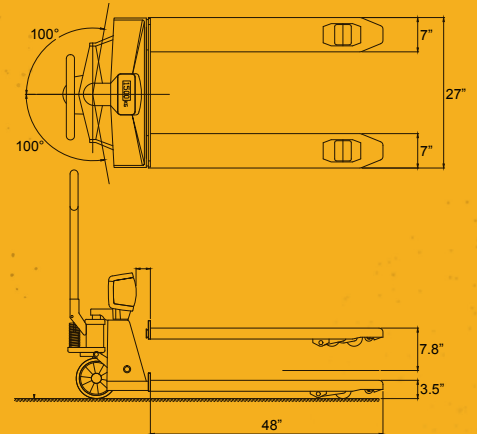
Greaseable bushings ensure a long service life



Thermal printer capability of date, time, counted pieces, gross/net weight, total weight

STANDARD SPECIFICATIONS:

- » Capacity: 5,000 lbs
- » Display: LCD, height 0.7 inch, with backlight and date and time memory
- » Keypad: 5 function keys; on/off key, piece counting, print, tare, zero
- » Protection class: Load cells and cabling NEMA 5, indicator NEMA 4
- » Steering wheels: polyurethane
- » Loading wheels: polyurethane, single
- » Unit weight: 282 lbs
- » Battery: 14V lithium battery pack exchangeable and rechargeable Battery; charger included
- » Battery life: 50 hours, low voltage indication
- » Charger: 110/120 volt
- » Charging time: 6 hours
- » Pump: quick lift
- » Printer: Thermal printer
- » Product #: LFTSC2-27X48Y-5P
- » Frame Width: 27"
- » Fork length: 48"



LIFT-RITE
KEEPS YOU MOVING

©2025 Lift-Rite

PO Box 130, Greene, NY 13778-0130

www.lifrite.com | Toll free 1-800-558-6012

LR-1005B 125

Due to continuous product improvement, specifications are subject to change without notice or obligation. Some systems and features shown are optional at extra cost. Lift-Rite is a U.S. trademark of Lift-Rite.